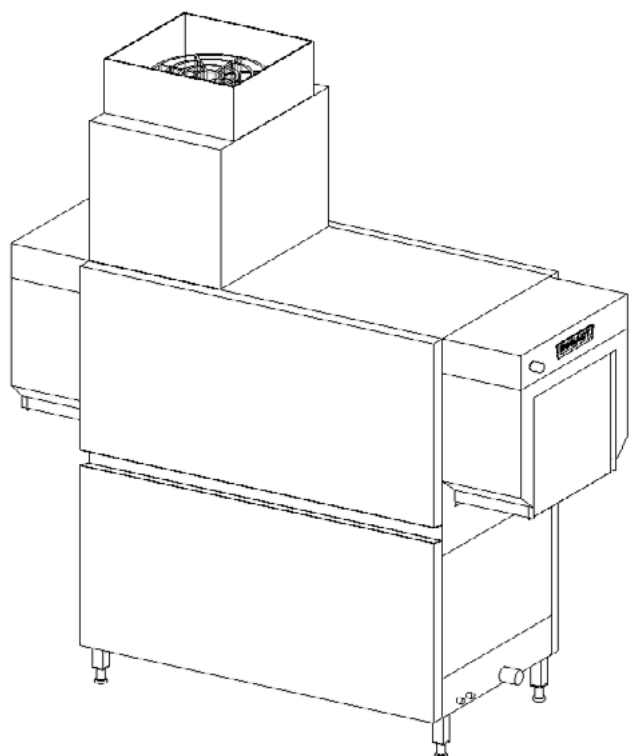


# Large Warewash



## Restart Check List

Before using the machine ensure the following checks have been carried out.

1. Check the water/waste connection.
2. Check the salt within the reservoir (if the machine has an external softener).
3. Check the chemical levels in the detergent and rinse aid bottles.
4. Check the condition of the mains power lead and plug and reconnect if removed from services.
5. Ensure that the initial fill program has been activated. Instructions can be located in the installation and operations manual [also available in our library](#)

***NB: Failure to ensure boiler full when you activate the machine could result in element damage.***

In case of machine failure, contact the Hobart Service team to place a [Service call](#).

## 1. Water/Waste Connection

**NOTE:** The machine must be connected to potable water supply.



It is strongly recommended that the water supply system is flushed prior to starting the machine as there is a risk of bacteria such as legionella developing in standing water within the pipework at room temperature.

- + Disconnect the water supply from the machine input valve and flush for at least 60 seconds into a suitable container and discard. Then reconnect water supply to the machine

*If the machine has a twin fill supply repeat on both systems.*

- + Open site shut-off valve
- + Ensure that the waste pipe is correctly positioned and secured
- + Follow manual handling guidelines when moving the machine
- + Ensure when locating the machine, the external hoses or cables are not caught or kinked

## 2. Check/fill the salt reservoir

*For machines with external softeners:*

Where possible run a manual regeneration cycle to flush the softener. Otherwise follow instructions below:

- + Remove the lid to the salt chamber and inspect salt level
- + Add additional salt if required NB Most external softeners use salt tablets but refer to manufacturer's instructions for type of regenerating salt required. Do not use table salt

# CONTACT US

If you require assistance raise a call by your usual method:

Call 0844 888 7777 Option 1  
OR Visit your company portal  
OR Email: [service.response@hobartuk.com](mailto:service.response@hobartuk.com)

For chemicals/parts email:  
[part.sales@hobartuk.com](mailto:part.sales@hobartuk.com)

[www.hobartuk.com](http://www.hobartuk.com)

## 3. Connecting Chemicals

**CAUTION:** Observe the manufacturer's application and safety instructions to avoid risk of chemical burns, skin irritation or poisoning. Wear necessary protective equipment when handling chemicals.

If the chemicals were removed prior to shutting down priming of the hoses may be required. Instructions can be found in the [installation and operations manual](#).

Carry out visual inspection of the chemical hoses. If there are signs of crystallised deposits:

- + for external dosage system contact your chemical provider

If hoses are in a good condition check/fit them into chemical bottles:

- + Place suction hose without colour marking at the suction valve at the bottom of the detergent bottle/reservoir
- + Place suction hose with blue marking at the suction valve at the bottom of the rinse aid bottle/reservoir

*If a dry powder chemical system installed on your machine, it is recommended that this is inspected prior to activation as the delivery system could be blocked.*

For best results use Hobart commercial dishwasher chemicals available from [Part Sales](#)

If external chemical dosage equipment is fitted to the machine, please contact chemical provider for assistance if required.

## 4. Powering up Machine

- + Remove, clean and replace all wash/rinse arms and strainers.
- + Insert the power supply plug and turn on main switch.
- + Close the door.
- + Initiate boiler fill program, instructions are in the user manuals.

**NOTE:** Failure to ensure boiler full when you activate the machine could result in element damage.

- + Switch the machine on

Depending on model, the start button will flash green or illuminate a segment of the button indicating filling program activated. When the button becomes completely green, the machine is ready for operation.

**We strongly recommend you run the Hygiene program**

If hygiene program not activated, add three hygiene tablets ([prod code 897954](#)) to the wash tank, operate the machine through a minimum of three cycles, fully drain and refill the machine.