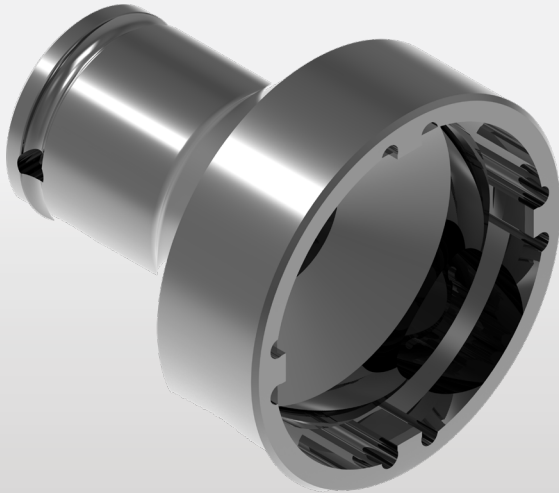


### PRODUCT SHOWCASE



#### SPANNER SOCKET

Part Number: **WJ-1760**  
Description: **4 TANG SPANNER SOCKET, 3/8" SQUARE DRIVE**  
Industry: **MANUFACTURING ASSEMBLY**

#### CUSTOMER CHALLENGE

- Customer required special tooling for special spanner nut.

#### THE APEX SOLUTION

- Unique custom design.
- Apex complete customization to the customer's specific needs.
- Allows access to fastener.

For assistance on how Apex Fastening Tools can solve your challenge, contact your local Apex Sales Representative or the Apex Customer Service Team:



[SpecialQuote@apextoolgroup.com](mailto:SpecialQuote@apextoolgroup.com)



1-866-569-9449 | 1-803-808-6745



[www.apex-tools.com/tools/custom-solutions](http://www.apex-tools.com/tools/custom-solutions)



SCAN or CLICK the QR CODE to DISCOVER APEX SOLUTIONS