



[www.sketra.com](http://www.sketra.com)

**TREADMILL**  
**PRODUCT CATALOGUE**

# Content

Our Products .....	02
Home Run Treadmill .....	05
Splash Run Treadmill .....	10
Splash Run vs Home Run ( Comparison) .....	15
Excite Run/ Excite Run + Treadmill .....	16
Smart Run Treadmill .....	22
Smart Run vs Excite/ Excite Run + (Comparison) .....	28
Pro/Smart/Excite/Splash/Home Comparison .....	29
Pro Run / Pro Run + Treadmill .....	31
Pro / Pro Run + vs Excite/ Excite Run + (Comparison)..	36
Neo Run Treadmill .....	37
Gym Run Treadmill .....	43
Gym Run Vs Neo Run (Comparison) .....	49
About us .....	50
Why Choose us .....	51
Payment Method .....	52
Our Services & Warranty .....	53
Terms & Conditions .....	54
Privacy Policy .....	56
Our Return Policy .....	58
Contact us .....	59

# HOME USE TREADMILLS



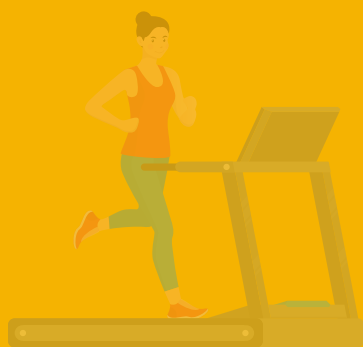
**Pro Run Treadmill**

**Price: 69,999.00/-**  
(inclusive of GST & Delivery Charges )



**Smart Run Treadmill**

**Price: 54,999.00/-**  
(inclusive of GST & Delivery Charges )



**Home Run Treadmill**

**Price: 26,499.00/-**  
(inclusive of GST & Delivery Charges )



**Excite Run Treadmill**

**Price: 52,999.00/-**  
(inclusive of GST & Delivery Charges )

Colour:



**Splash Run Treadmill**

**Price: 42,999.00/-**  
(inclusive of GST & Delivery Charges )

## SEMI COMMERCIAL TREADMILLS



### Pro Run + Treadmill

Price: **82,999.00/-**

(inclusive of GST & Delivery Charges )



### Excite Run + Treadmill

Price: **63,999.00/-**

(inclusive of GST & Delivery Charges )

Colour:

## COMMERCIAL TREADMILLS



### Gym Run Treadmill

**Price: 1,39,999.00/-**

(inclusive of GST & Delivery Charges )



### Neo Run Treadmill

**Price: 1,09,999.00/-**

(inclusive of GST & Delivery Charges )

# BUDGET TREADMILL WITH CUSHIONED RUNNING DECK



**Home Run Treadmill**

**Price: 26,499.00/-**

(includes 18% GST & Delivery Charges)



**INBUILT VOLTAGE  
FLUCTUATION  
PROTECTION UNIT**



1300 Watt/1.75 HP Continuous & 3.5 HP Peak DC Motor supports up to the speed of 12 km/h with cushioned running deck , 7 Tier Soft Running Board reduces the impact on joints & bones to make sure that you get the comfortable deck for running.

# FEATURES

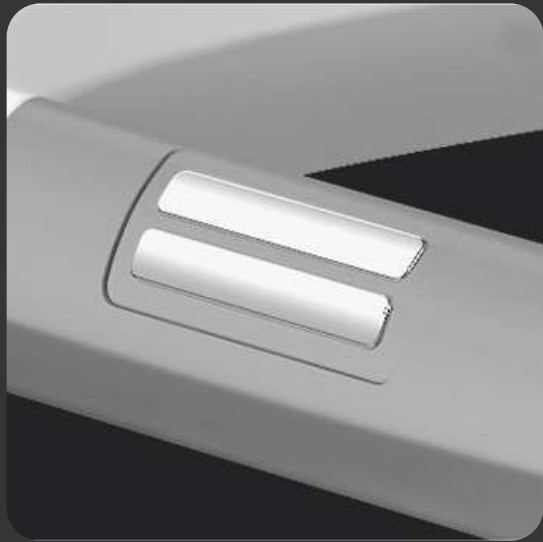
- ☑ **3.5 HP DC Motor**
- ☑ **48 in x 16 in Running Surface**
- ☑ **Backlit Display Readouts**
- ☑ **Inbuilt Voltage Fluctuation Protection Unit**
- ☑ **Swipe Button Panel for Easy Access**
- ☑ **7 Tier Soft Running Board & Cushioned Foams**
- ☑ **2 Ply Belt with PVC Rubber & Polyester**
- ☑ **Hydraulic and Vertical Folding**
- ☑ **Bluetooth Enabled 20 Watts Speakers**
- ☑ **Mounted Wheels for Easy forward/backward Movability**
- ☑ **Pan India Online Assistance 1 year for all parts & 3 Years for Motor**

## EASY ON JOINTS, EASY ON KNEES

To ensure the safety of knees which every other company ignores Completely Redesigned the Cushioning system, padded foams provided at the rear of the deck to reduce impact & pressure on joints.

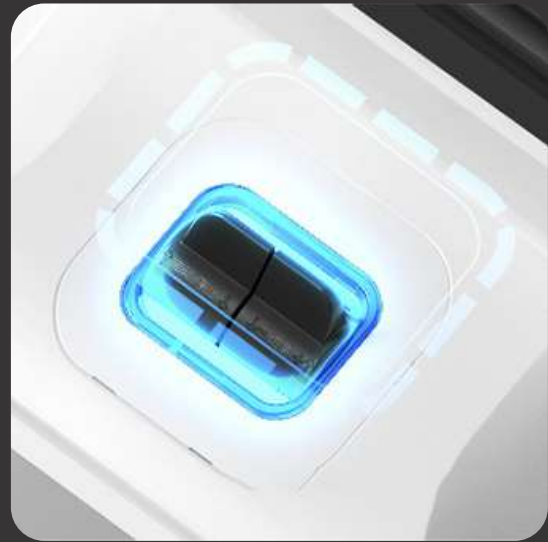






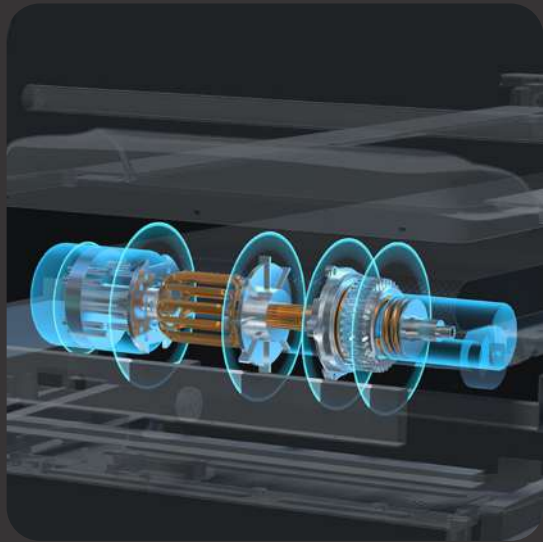
### HEART RATE SENSORS

The heart rate sensors provided on the handle grip made up of high quality chrome which gives accurate pulse rate on display monitor by holding them in your hands.



### SWIPE BUTTONS

Swipe buttons on panel are provided for easy start/stop or speed adjustment (Increase/Decrease)



### MOTOR POWER

3.5 HP DC motor provide continuous speed upto 0-12 km/h and can work for 1.5 hours per session.



### CUSHIONED DECK

First Budget Treadmill comes with cushioned running deck , 7 Tier Soft Running Board reduces the impact on joints & bones to make sure that you get the comfortable deck for running.



### STORAGE TANK

The on-panel storage space containers are provided to hold your bottles.



### BLUETOOTH SPEAKERS

10 Watts Bluetooth enabled speakers with AUX input to listen to music from your iPhone or MP3 player while exercising and keeps you in a good mood.

## **PRODUCT PARAMETERS**

Motor Power : 3.5 HP DC Motor

Max Speed : 12 Km/h

Display : Backlit Display

Panel : Quick Access Panel with Swipe Button

Cushioning : 7 Tier Soft Running Board & Cushioned Foams

Belt Size : 48 inch Long x 16 inch Wide

Load : Max weight bearing capacity upto 120 KG

Net Weight : 65 KG

Folding : Hydraulic & Vertical Folding

Speaker : Bluetooth Enabled 10 Watts Dual Speakers



# HOME SEGMENT TREADMILL WITH AUTO INCLINE



**Splash Run Treadmill**

**Price: 42,999.00/-**

(includes 18% GST & Delivery Charges)

KEEP YOUR SMART  
DEVICE ON CONSOLE  
FOR ENDLESS WORKOUT



1492 Watt/2.0 HP Continuous & 4.0 HP Peak Brushless Motor supports up to the speed of 14.8 km/h with 0 to 15 Grade Inclination making the home workout tough enough to meet everyone's need. **Quiet, Lasting & Efficient.**



## FEATURES

- ☑ **4 HP Brushless DC Motor**
- ☑ **52 in x 19 in Running Surface**
- ☑ **8 Shock Absorbers with Double Cushioned Surface**
- ☑ **Backlit Display Readouts**
- ☑ **Easy Lift Assist with Hydraulic Folding**
- ☑ **0 to 15 Grade Auto Inclination**
- ☑ **3 Ply Belt with Advance Heat Dissipation system**
- ☑ **Bluetooth Enabled 20 Watts Speakers**
- ☑ **Mounted Wheels for Easy forward/backward Movability**
- ☑ **Pan India Online Assistance 1 year for all parts & 5 Years for Motor**

### 8 SHOCK ABSORBER DECK

In total 8 shock-absorbing cushions built-in with the large HDF running deck, and double cushions under the 52" x 19" running surface ensure a high weight capacity of 130kg for running & 150kg for walking.



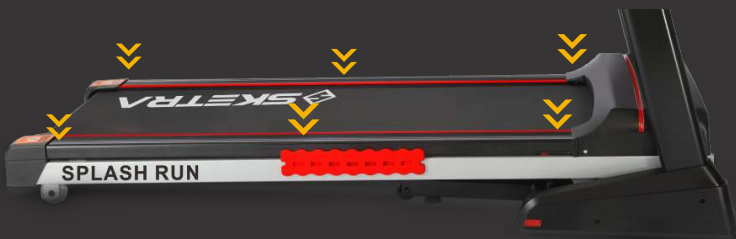
## 15 GRADE AUTO INCLINATION

Take your workout to a whole new level with the 15 level automatic inclination features. The Automatic Inclination is powered by a robust electric motor which provides you smooth and natural transition between different workout intensity.



## WIDE RUNNING DECK

Upgraded running track with 52 inch long 19 inch wide running area provides you a capacious running environment.



## HYDRAULIC LIFT ASSIST

with Hydraulic Folding and easy lift assist also Two Rear Mounted wheels are provided for easy forward/backward mobility and storage.





## **PRODUCT PARAMETERS**

Motor Power : 4 HP Brushless Motor

Max Speed : 14.8 Km/h

Display : Backlit Display

Panel : Easy Access Panel for Quick Access

Inclination : 0 - 15 Grade Auto Inclination

Belt Size : 52 inch Long x 19 inch Wide

Load : Max weight bearing capacity upto 150 KG

Net Weight : 70 KG

Folding : Hydraulic Folding with Easy Movability

Speaker : Bluetooth Enabled 20 Watts Dual Speakers



## DIFFERENCE BETWEEN LOW BUDGET TREADMILLS

# SPLASH RUN VS HOME RUN

<b>SPLASH RUN</b>	<b>PARTICULARS</b>	<b>HOME RUN</b>
42,999/-	<b>PRICE</b>	26,499/-
1492 Watts	<b>MOTOR POWER</b>	1300 Watts
Brushless DC	<b>MOTOR TYPE</b>	Brushless DC
0-15 Grade	<b>INCLINATION</b>	N/A
52 inch x 19 inch	<b>RUNNING AREA</b>	48 inch x 16 inch
3 PLY	<b>BELT TYPE</b>	2 PLY
8 Shock Absorbers	<b>CUSHIONING</b>	Padded Foam
Moderate	<b>IMPACT ON JOINTS</b>	Somewhat Moderate
14.8 km/h	<b>MAX SPEED</b>	12.0 km/h
Vertical	<b>FOLDING</b>	Vertical
90% Pre-Installed	<b>INSTALLATION REQUIRED</b>	90% Pre-Installed
Upto 130 KG	<b>WEIGHT BEARING CAPACITY</b>	Upto 120 KG
Aluminum + Alloy	<b>FRAME</b>	Aluminum + Alloy
5.8 L x 2.5 W x 4.2 H 'FT	<b>AREA REQUIRED (IN-USE)</b>	5 L x 2.2 W x 4.1 H 'FT
3.7 L x 2.5 W x 4.4 H 'FT	<b>AREA REQUIRED (FOLDED)</b>	3.2 L x 2.2 W x 4.3 H 'FT
N/A	<b>STABLIZER REQUIRED</b>	N/A
70 KG	<b>NET WEIGHT</b>	65 KG
5 Year Motor	<b>WARRANTY</b>	3 Year Motor

# BEST IN CLASS SEMI-COMMERCIAL TREADMILL WITH AUTO INCLINE



## Excite Run + Treadmill

Price: **63,999.00/-**

(includes 18% GST & Delivery Charges)  
with Commercial AC Motor



## Excite Run Treadmill

Price: **52,999.00/-**

(includes 18% GST & Delivery Charges)  
with Brushless DC Motor

## EASY ACCESS CONSOLE WITH TOUCH PANEL



1670 Watt/2.25 HP Continuous & 4.25 HP Peak Commercial AC/Brushless DC Motor with FlexSelect Cushioning surface and provide speed upto 14.8 km/h and upto 15 Grade Inclination.

# FEATURES

- ☑ **4.25 HP Semi Commercial Brushless DC Motor / Commercial AC Motor**
- ☑ **52 in x 19 in Large Running Deck**
- ☑ **20mm Spring Back Cushioning System**
- ☑ **8" Backlit Display Readouts**
- ☑ **Easy Lift Assist with Hydraulic Folding**
- ☑ **15 Grade Auto Inclination**
- ☑ **3 Ply Belt with Advance Heat Dissipation system**
- ☑ **Bluetooth Enabled 20 Watts Speakers**
- ☑ **Mounted Wheels for Easy forward/backward Movability**
- ☑ **Pan India Online Assistance 1 year for all parts & 5 Years for Motor**

## CUSHIONED RUNNING DECK

Sketra Excite Run 7 Tier Running Surface , 20mm springback space, gives you most comfortable running workout.







## POWERFUL MOTOR

Excite run comes with 4.25 HP Brushless DC / Commercial AC motor power to provide continuous performance and ideal for any type of training, from easy-paced walking to high intensity marathon training.



## BLUETOOTH SPEAKERS

Smart Excite Run treadmill comes with 20 Watts Bluetooth enabled speakers. You can connect your smart devices to entertain yourself during your workout session.



## MAGNETIC SAFETY KEY

Smart Excite Treadmill equipped with magnetic safety key which stop the treadmill in case of emergency to avoid any injury.



## HEART RATE SENSOR

The heart rate sensors provided on the handle grip made up of high quality chrome which gives accurate pulse rate on display monitor.



## BOTTLE HOLDER

Smart Excite Run Treadmill equipped with two big bottle holders to store anything you want.



## SPRINGBACK DECK

20mm spring back cushioned deck make sure running on Excite Run is smoother than running outside.



## 15 GRADE AUTO INCLINATION

With an incline of up to 15 Grade, you can make your workout even more varied and effective. Burn even more calories, improve your endurance and strengthen your leg muscles with a higher incline per training unit.



## WIDE RUNNING DECK

Excite Run equipped with 52 inch long x 19 inch wide running cushioned surface with 25mm spring back space for your comfortable and long running workout.

## HYDRAULIC LIFT ASSIST

Sketra Excite Run Treadmill comes with Hydraulic Folding with easy lift assist and Two Rear Mounted wheels are provided for easy forward/backward mobility and storage.



## PRODUCT PARAMETERS

- Motor Power : 4.25 HP Commercial AC Motor / Brushless DC Motor
- Max Speed : 14.8 Km/h
- Display : 8" Inch Backlit Display
- Panel : Touch Button Panel for Easy Access Adjustment
- Inclination : 0- 15 Grade Auto Inclination
- Belt Size : 52 inch Long x 19 inch Wide
- Load : Max Weight bearing capacity upto 150 KG
- Net Weight : 76 KG
- Folding : Hydraulic Folding with Easy Movability
- Speaker : Bluetooth Enabled 20 Watts Dual Speakers
- Colours : Black | White



# NEXT GENERATION SMART TREADMILL WITH BRUSHLESS DC MOTOR



## Smart Run Treadmill

Price: **54,999.00/-**

(includes 18% GST & Delivery Charges)



## TREADMILL CUM WORKSTATION

1860 Watt/2.5 HP Continuous & 4.5 HP Peak Semi-Commercial Brushless DC motor is ideal for any type of training with wide running surface and provide speed upto 16 km/h equipped with 25mm spring Flex Cushioning system.

## FEATURES

- ☑ **4.5 HP Semi Commercial Brushless DC Motor**
- ☑ **25mm Spring Back Flex Cushioning**
- ☑ **Easy Adjustment Touch Panel Control**
- ☑ **60degree Rotatable Console**
- ☑ **Stylish Complete Foldable Design**
- ☑ **51 in x 19 in Large Running Deck**
- ☑ **7 Tier Soft Cushioning Surface**
- ☑ **Use console as workstation while workout**
- ☑ **Mounted Wheels for Easy forward/backward Movability**
- ☑ **Pan India Online Assistance 1 year for all parts & 5 Years for Motor**



### WORK WHILE WORKOUT

Rotate console upto 60° or make it flat to place laptop & keep working while walking on the treadmill.



### HEART RATE SENSORS

The grip pulse sensor enables you to monitor your heart rate by placing your palm on the handle grip, allowing you to keep within your target zone.



### BLUETOOTH SPEAKERS

It comes with 20 Watts Bluetooth enabled speakers. You can connect your smart devices to entertain yourself during your workout session.



### EASY MOVABILITY

Equipped with two front mounted wheels for easy movability to forward/backward.



### SPRING BACK DECK

It has the 25mm spring back cushioning deck helps in Stable workout and by electric circuits efficiently . Quiet & Powerful !





**FULLY FOLDABLE**

**SPORTS SLICE SYSTEM**



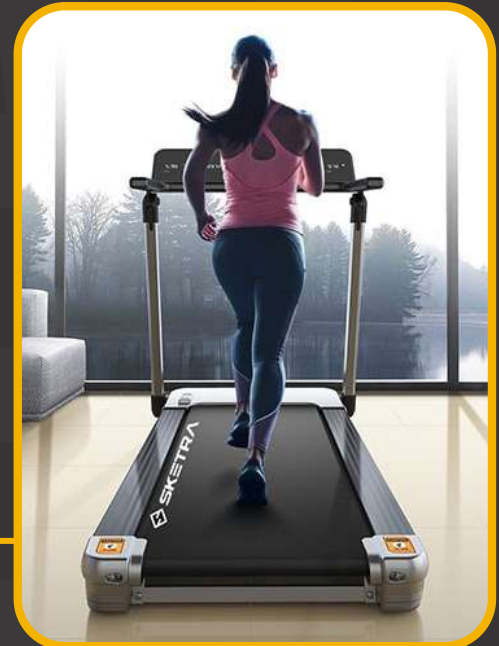
**150KG BEARING CAPACITY**

**SUSPENSION RUNNING BELT**



**25MM SPRINGBACK DECK**

**WIDE RUNNING SURFACE**



## **PRODUCT PARAMETERS**

Motor Power : 4.5 HP Brushless DC Motor

Max Speed : 16 Km/h

Display : Touch Panel Backlit Display

Panel : 60 degree rotatable panel for work while workout.

Cushioned Deck : 25mm Spring Back Cushioning

Belt Size : 51 inch Long x 19 inch Wide

Load : Max weight bearing capacity upto 150 KG

Net Weight : 72 KG

Foldable : Completely foldable in Vertical & Horizontal Direction

Speaker : Bluetooth Enabled 20 Watts Dual Speakers



## DIFFERENCE BETWEEN MID RANGE TREADMILLS

# SMART RUN VS EXCITE RUN

### SMART RUN

54,999/-

1860 Watts

Brushless DC



N/A

51 inch x 19 inch

3 PLY

25 Spring Back

Low

16.0 km/h

Horizontal/Vertical

100% Pre-Installed

Upto 150 KG

Aluminum + Alloy

5.6 L x 2.7 W x 4.3 H 'FT

5.6 L x 2.7 W x 1.0 H 'FT

N/A

72 KG

5 Year Motor

### PARTICULARS

PRICE

MOTOR POWER

MOTOR TYPE

WORKSTATION

INCLINATION

RUNNING AREA

BELT TYPE

CUSHIONING

IMPACT ON JOINTS

MAX SPEED

FOLDING

INSTALLATION REQUIRED

WEIGHT BEARING CAPACITY

FRAME

AREA REQUIRED (IN-USE)

AREA REQUIRED (FOLDED)

STABLIZER REQUIRED

NET WEIGHT

WARRANTY

### EXCITE RUN/EXCITE RUN+

52,999 - 63,999

1670 Watts

Brushless DC/Commercial AC



0-15 Grade

52 inch x 19 inch

3 PLY

20 Spring Back

Low

14.8 km/h

Vertical

90% Pre-Installed

Upto 150 KG

Aluminum + Alloy

5.8 L x 2.7 W x 4.4 H 'FT

3.7 L x 2.7 W x 4.4 H 'FT

N/A / 5 KW

72 KG

5 Year Motor

## DIFFERENCE BETWEEN HOME USE TREADMILLS

PARTICULARS	PRO RUN	SMART RUN	EXCITE RUN	SPLASH RUN	HOME RUN
PRICE	69,999/-	54,999/-	52,999/-	42,999/-	26,499/-
MOTOR POWER	3350 Watts	1860 Watts	1670 Watts	1492 Watts	1300 Watts
MOTOR TYPE	Brushless DC	Brushless DC	Brushless DC	Brushless DC	Brushless DC
WORKSTATION	X	✓	X	X	X
INCLINATION	0-15 Grade	N/A	0-15 Grade	0-15 Grade	N/A
RUNNING AREA	54 inch x 21 inch	51 inch x 19 inch	52 inch x 19 inch	52 inch x 19 inch	48 inch x 16 inch
BELT TYPE	4 PLY	3 PLY	3 PLY	3 PLY	2 PLY
CUSHIONING	16 Hydraulic Absorber	25 Spring Back	20 Spring Back	8 Shock Absorbers	Padded Foam
IMPACT ON JOINTS	Zero	Low	Low	Moderate	Somewhat Moderate
MAX SPEED	18.8 km/h	16.0 km/h	14.8 km/h	14.8 km/h	12.0 km/h
FOLDING	Vertical	Horizontal/Vertical	Vertical	Vertical	Vertical
INSTALLATION REQUIRED	90% Pre-Installed	100% Pre-Installed	90% Pre-Installed	90% Pre-Installed	90% Pre-Installed
WEIGHT BEARING CAPACITY	Upto 180 KG	Upto 150 KG	Upto 150 KG	Upto 130 KG	Upto 120 KG
FRAME	Aluminum + Alloy	Aluminum + Alloy	Aluminum + Alloy	Aluminum + Alloy	Aluminum + Alloy
AREA REQUIRED (IN-USE)	6 L x 3 W x 4.6 H FT	5.6 L x 2.7 W x 4.3 H FT	5.8 L x 2.7 W x 4.4 H FT	5.8 L x 2.5 W x 4.2 H FT	5 L x 2.2 W x 4.1 H FT
AREA REQUIRED (FOLDED)	4.3 L x 3 W x 4.6 H FT	5.6 L x 2.7 W x 1.0 H FT	3.7 L x 2.7 W x 4.4 H FT	3.7 L x 2.5 W x 4.4 H FT	3.2 L x 2.2 W x 4.3 H FT
STABILIZER REQUIRED	3KW	N/A	N/A	N/A	N/A
NET WEIGHT	105 KG	72 KG	72 KG	70 KG	65 KG
WARRANTY	5 Year Motor	5 Year Motor	5 Year Motor	5 Year Motor	5 Year Motor



# ADVANCED CUSHIONING TREADMILL WITH HEAVY DUTY USAGE



## Pro Run + Treadmill

**Price: 82,999.00/-**

(includes 18% GST & Delivery Charges)  
with Commercial AC Motor

## Pro Run Treadmill

**Price: 69,999.00/-**

(includes 18% GST & Delivery Charges)  
with Brushless DC Motor



TAKE YOUR RUNNING JOURNEY  
TO A WHOLE NEW LEVEL



3350 Watt/4.5 HP Continuous & 6.5 HP Peak Commercial AC Motor / Brushless DC silent motor is ideal for any type of training with wide running surface and provide speed upto 18.8 km/h for perfect cardio workout session can work continuous upto 6 hours.



## FEATURES

- ☑ **6.5 HP Commercial AC Motor / Brushless DC Motor**
- ☑ **15 Grade Inclination**
- ☑ **Easy Speed Adjuster Buzzer**
- ☑ **Adjustable Display For Perfect Viewing Angle**
- ☑ **Hydraulic Folding Lift Assist**
- ☑ **54 in x 21 in Large & Wide Running Deck**
- ☑ **4 Ply Belt with Auto Heat Dissipation System**
- ☑ **Effective Cushioned Running Deck**
- ☑ **Mounted Wheels for Easy forward/backward Movability**
- ☑ **Pan India Online Assistance 1 year for all parts & 5 Years for Motor**

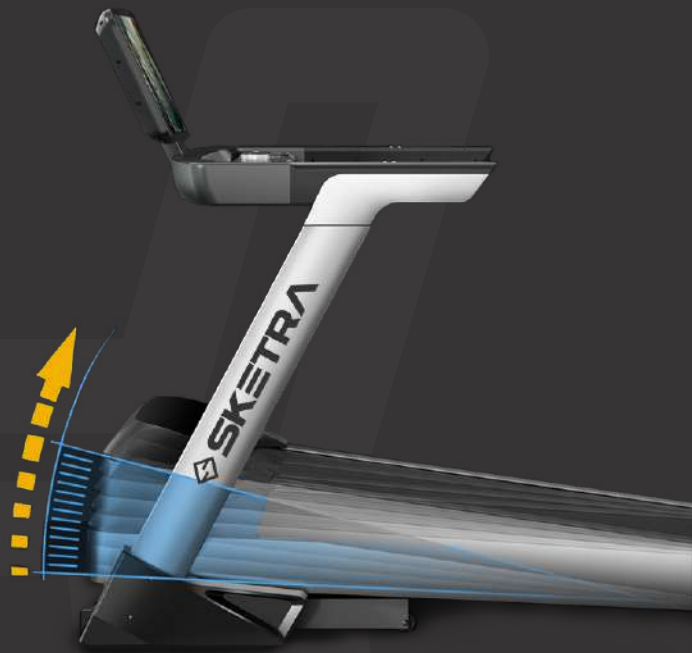
### OPTIMAL VIEW DISPLAY

Nothing has been left to chance when it comes to treadmill design. Not even the viewing angle of the display which is adjustable upto 40°



## 15 GRADE AUTO INCLINATION

Take your workout to a whole new level with the 15 level automatic inclination features. The Automatic Inclination is powered by a robust electric motor which provides you smooth and natural transition between different workout intensity.



## WIDE RUNNING DECK

Upgraded running track with 54 inch X 21 inch running area provides you a capacious running environment.



## FOLDING/ UNFOLDING

The effort stops the moment your workout is over. Simple to lift and easy to lower, the Pro Run Easy fold technology utilizes a hydraulic shock to assist in folding and unfolding the treadmill. Simply lift the deck for a compact storage position, and when you're ready, the soft-drop system supports the complete weight of the treadmill as it unfolds for safe, convenient use.





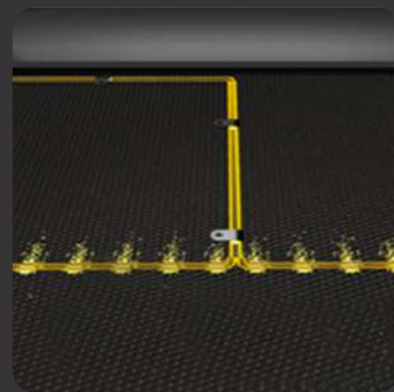
### HEART RATE SENSORS

The heart rate sensors provided on the handle grip made up of high quality chrome which gives accurate pulse rate on display monitor by holding them in your hands.



### BOTTLE HOLDER

Comes with two big bottle holders which you can use for place some others things also as you want.



### AUTO LUBRICATION

Adding lubrication oil to your treadmill is no longer a hectic job. The Auto Lubrication feature makes the maintenance job simple, clean, and easy .



### OPTIMAL DISPLAY

Nothing has been left to chance when it comes to treadmill design. Not even the viewing angle of the display which is adjustable upto 40°.



### EMERGENCY LOCK

Magnetic safety key lock which help to stop the treadmill in case of emergency to avoid any type of injury.



### BLUETOOTH SPEAKERS

20 Watts Bluetooth enabled speakers. You can connect your smart devices to entertain yourself during your workout session.



### EASY SPEED ADJUSTER

Most accurate speed adjuster speed buzzer, Just rotate the buzzer in clockwise direction to increase & in Anti clockwise direction for decreasing the speed.



### CUSHIONED DECK

Equipped with FlexSelect Cushioning Technology 14 Hydraulic Absorber with 7 Tiers Soft board to reduce impact & pressure on joints.



### COMMERCIAL DRUM

Pro Run treadmill comes with commercial cone reset drum that provide steadiness and smooth running in every workout session.

## **PRODUCT PARAMETERS**

Motor Power : 6.5 HP Commercial AC / Brushless DC Motor

Max Speed : 18.8 Km/h

Display : Optimal display for perfect readout and 60 degree rotatable

Panel : Easy Access Touch Panel and Buzzer Speed Adjuster

Cushioned Deck : 14 Hydraulic Absorbers & 7 Tier Soft Board

Belt Size : 54 inch Long x 21 inch Wide

Weight Bearing Capacity : Max upto 180 KG

Net Weight : 105 KG

Incline : 0-15 Grade Auto Inclination

Speaker : Bluetooth Enabled 20 Watts Dual Speakers



# DIFFERENCE BETWEEN SEMI COMMERCIAL TREADMILLS

## PRO RUN / PRO RUN + VS EXCITE RUN / EXCITE RUN +

<b>PRO RUN / PRO RUN +</b>	<b>PARTICULARS</b>	<b>EXCITE RUN / EXCITE RUN +</b>
69,999 - 82,999	<b>PRICE</b>	52,999 - 63,999
3350 Watts	<b>MOTOR POWER</b>	1670 Watts
Brushless DC	<b>MOTOR TYPE</b>	Brushless DC/Commercial AC
0-15 Grade	<b>INCLINATION</b>	0-15 Grade
54 inch x 21 inch	<b>RUNNING AREA</b>	52 inch x 19 inch
4 PLY	<b>BELT TYPE</b>	3 PLY
16 Hydraulic Absorber	<b>CUSHIONING</b>	20 Spring Back
Zero	<b>IMPACT ON JOINTS</b>	Low
18.8 km/h	<b>MAX SPEED</b>	14.8 km/h
Vertical	<b>FOLDING</b>	Vertical
90% Pre-Installed	<b>INSTALLATION REQUIRED</b>	90% Pre-Installed
Upto 180 KG	<b>WEIGHT BEARING CAPACITY</b>	Upto 150 KG
Aluminum + Alloy	<b>FRAME</b>	Aluminum + Alloy
6 L x 3 W x 4.6 H 'FT	<b>AREA REQUIRED (IN-USE)</b>	5.8 L x 2.7 W x 4.4 H 'FT
4.3 L x 3 W x 4.6 H 'FT	<b>AREA REQUIRED (FOLDED)</b>	3.7 L x 2.7 W x 4.4 H 'FT
3KW / 5 KW	<b>STABLIZER REQUIRED</b>	N/A / 3 KW
105 KG	<b>NET WEIGHT</b>	72 KG
5 Year Motor	<b>WARRANTY</b>	5 Year Motor



**COMMERCIAL AC MOTOR  
TREADMILL WITH  
HEAVY DUTY USAGE**



**Neo Run Treadmill**

**Price: 1,09,999.00/-**

(includes 18% GST & Delivery Charges)





## ENHANCED TRAINING PERFORMANCE

3720 Watt/5 HP Continuous & 7 HP Peak Commercial AC silent motor is ideal for any type of training, from easy-paced walking to high intensity marathon training. The inclination can even reach grades of up to 15% in order to simulate hill training.

# FEATURES

- ☑ **7 HP Commercial AC Motor**
- ☑ **15 Grade Inclination**
- ☑ **Performance Monitoring**
- ☑ **Hydraulic Folding Lift Assist**
- ☑ **61 in x 21 in Large & Wide Running Deck**
- ☑ **4 Ply Belt with Auto Heat Dissipation System**
- ☑ **Effective Cushioned Running Deck**
- ☑ **Mounted Wheels for Easy forward/backward Movability**
- ☑ **Pan India Online Assistance 1 year for all parts & 5 Years for Motor**

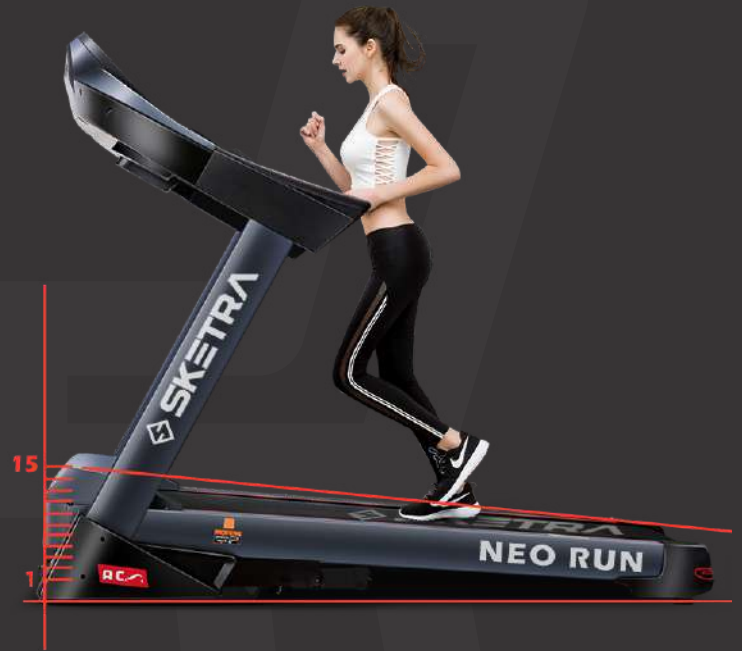
## CUSHIONED RUNNING SURFACE

Neo Run equipped with Flex Select cushioning system which comes with 16 Hydraulic absorbers and 7 Tier soft running board to reduce impact & pressure on joints.



## 15 GRADE AUTO INCLINATION

With an incline of up to 15 Grade, you can make your workout even more varied and effective. Burn even more calories, improve your endurance and strengthen your leg muscles with a higher incline.



## WIDE RUNNING DECK

Neo Run equipped with 61 inch long x 21 inch wide running surface for your comfortable and long running workout.



## HYDRAULIC LIFT ASSIST

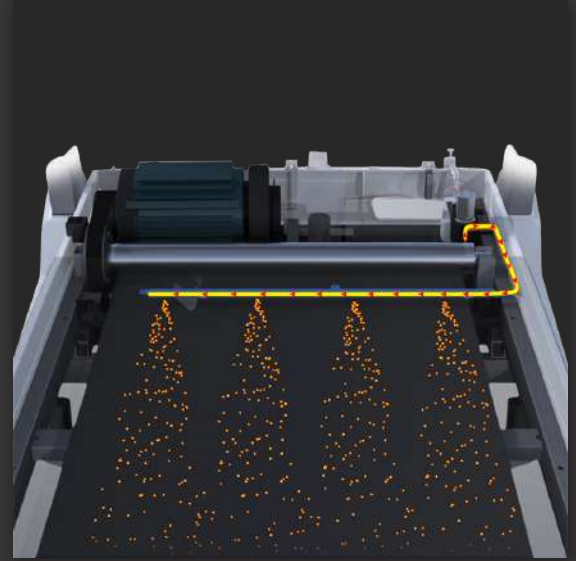
Sketra Neo Run Treadmill comes with Hydraulic Folding with easy lift assist and Two Front and Two Rear Mounted wheels are provided for easy forward/backward mobility and storage.





## HEART RATE SENSORS

The heart rate sensors provided on the handle grip made up of high quality chrome which gives accurate pulse rate on display monitor



## AUTO LUBRICATION

Neo Run Treadmill comes with Auto lubrication system , user just need to fill oil in tank & oil will be distributed among the entire running area automatically



## PERFORMANCE MONITORING

The on-board console shows all the data you need to monitor your performance, regardless of body position. It displays resistance level, speed, calories and distance and can also show heart rate.



## BLUETOOTH SPEAKERS

This Treadmill is also equipped with AUX input to listen to music from your smart devices while exercising and keeps you in a good mood.

## **PRODUCT PARAMETERS**

Motor Power : 7 HP Commercial AC Motor

Max Speed : 20 Km/h

Display : 8" inch Backlit Display (Readout- Time, Speed, Calories, Distance etc.)

Panel : Easy Access Panel for easy setup of Speed, Inclination, Programs

Cushioned Deck : 16 Hydraulic Absorbers & 7 Tier Soft Board

Belt Size : 61 inch Long x 21 inch Wide

Weight Bearing Capacity : Max upto 200 KG

Net Weight : 115 KG

Incline : 0-15 Grade Auto Inclination

Speaker : Bluetooth Enabled 20 Watts Dual Speakers





# GYM AC MOTOR TREADMILL HEAVY DUTY USAGE



## Gym Run Treadmill

Price: **1,39,999.00/-**

(includes 18% GST & Delivery Charges)

## ADAPTIVE AND BIGGER RUNNING SURFACE PERFORMANCE



4850 Watt/6.5 HP Continuous & 8.5 HP Peak Commercial AC silent motor is ideal for any type of training, with adaptive running surface and high intensity marathon training with speed upto 22.8 km/ph. The inclination can even reach grades of up to 18% in order to simulate hill training.

## FEATURES

- ☑ **8.5 HP Commercial AC Motor**
- ☑ **18 Grade Inclination**
- ☑ **Backlit LED Monitoring**
- ☑ **Hydraulic Soft Drop Folding Technology**
- ☑ **61 in x 23 in Large & Wide Running Deck**
- ☑ **4 Ply Belt (3.5mm Thickness) with Auto Heat Dissipation System**
- ☑ **Adaptive Cushioned Running Deck with 18 Hydraulic Absorbers**
- ☑ **Mounted Wheels for Easy forward/backward Movability**
- ☑ **Pan India Online Assistance 1 year for all parts & 5 Years for Motor**

### CUSHIONED RUNNING SURFACE

Gym Run equipped with Flex Select cushioning system which comes with 18 Hydraulic absorbers and 9 Tier soft running board to reduce impact & pressure on joints.



## 18 GRADE AUTO INCLINATION

With an incline of up to 18 Grade, you can make your workout even more varied and effective. Burn even more calories, improve your endurance and strengthen your leg muscles with a higher incline.



## WIDE RUNNING DECK

Gym Run equipped with 61 inch long x 23 inch wide running surface for your comfortable and long running workout.

## SOFT DROP HYDRAULIC FOLDING

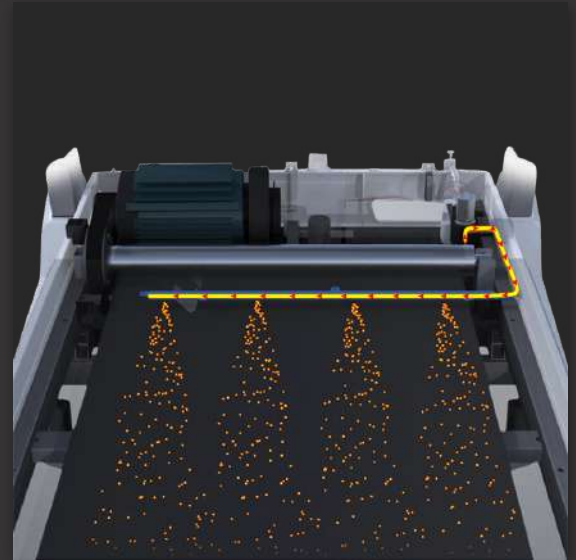
Sketra Gym Run Treadmill comes with Soft Drop Hydraulic Folding with easy lift assist and Two Front and Two Rear Mounted wheels are provided for easy forward/backward mobility and storage.





## HEART RATE SENSORS

The heart rate sensors provided on the handle grip made up of high quality chrome which gives accurate pulse rate on display monitor



## AUTO LUBRICATION

Gym Run Treadmill comes with Auto lubrication system , user just need to fill oil in tank & oil will be distributed among the entire running area automatically



## PERFORMANCE MONITORING

The on-board console shows all the data you need to monitor your performance, regardless of body position. It displays resistance level, speed, calories and distance and can also show heart rate.



## BLUETOOTH SPEAKERS

This Treadmill is also equipped with AUX input to listen to music from your smart devices which keeps you in a good mood while do your workout.



## **PRODUCT PARAMETERS**

Motor Power : 8.5 HP Commercial AC Motor

Max Speed : 22.8 Km/h

Display : 9" inch Backlit Display (Readout- Time, Speed, Calories, Distance etc.)

Panel : Easy Access Panel for easy setup of Speed, Inclination, Multi Programs

Cushioned Deck : 18 Hydraulic Absorbers & 7 Tier Soft Board

Belt Size : 61 inch Long x 23 inch Wide

Weight Bearing Capacity : Max upto 220 KG

Net Weight : 130 KG

Incline : 0-18 Grade Auto Inclination

Speaker : Bluetooth Enabled Multimedia Speakers



# DIFFERENCE BETWEEN COMMERCIAL TREADMILLS

## GYM RUN VS NEO RUN

### GYM RUN

1,39,999

4850 Watts

Commercial AC

0 - 18 Grades

61 inch x 23 inch

5 PLY

18 Absorbers / 7 Tier

Zero

22.8 km/h

Hydraulic Folding

90% Pre Installed

Upto 200 KG

Aluminum + Alloy

6.4 L x 3.4 W x 4.6 H 'FT

4.6 L x 3.4 W x 5.1 H 'FT

5 KW

125 KG

5 Year Motor

### PARTICULARS

PRICE

MOTOR POWER

MOTOR TYPE

INCLINATION

RUNNING AREA

BELT TYPE

CUSHIONING

IMPACT ON JOINTS

MAX SPEED

FOLDING

INSTALLATION REQUIRED

WEIGHT BEARING CAPACITY

FRAME

AREA REQUIRED (IN-USE)

AREA REQUIRED (FOLDED)

STABLIZER REQUIRED

NET WEIGHT

WARRANTY

### NEO RUN

1,09,999

3720 Watts

Commercial AC

0 - 15 Grades

61 inch x 21 inch

4 PLY

16 Absorbers / 7 Tier

Zero

20.0 km/h

Hydraulic Folding

90% Pre Installed

Upto 200 KG

Aluminum + Alloy

6.2 L x 3.2 W x 4.9 H 'FT

4.6 L x 3.2 W x 5.1 H 'FT

5 KW

115 KG

5 Year Motor

## ***About Us***

Sketra is a brand product of Quantico Global India Pvt. Ltd. A luxurious name in Indian Wellness industry. Since its inception in 2012, we are continuously working for growing demand for our customers for their overall well-being.

Utmost care is taken while designing and crafting these products to help our customers to build a foundation for vibrant living. Complete information is accessible on our website [sketra.com](http://sketra.com).

# ***Why Choose us***

## **Durability Guaranteed**

Sketra Provides 1 Year Warranty For all Parts & 3 to 5 Year's Motor Warranty on various models . For warranty Assistance get in touch with us on our Toll Free number.

## **Onsite Warranty Assistance**

Any issue with your product , At Sketra we do provide doorstep assistance , Our Technician will reach at your place if in case service required.

## **Assured Quality**

Sketra Treadmill's are equipped with Certified Parts . Durability is double as compared with any other brand available in market

## **PAYMENT METHOD**

---

1) Pay Full Amount - Buyer can pay full Amount on the website with Following Payment options - Debit/Credit Card , Net banking , UPI , Wallet , EMI with Credit Card , **No cost EMI** with Walnut 369 , EMI with Zest Money

2) Pay Deposit - **Buyer can pay 10%** of the product amount to book the order on the website with Following Payment options - Debit/Credit Card , Net banking , UPI , Wallet , EMI with Credit Card , **No cost EMI** with Walnut 369 , EMI with Zest Money , Remaining 90% Amount can be paid against Delivery in cash only

---

## **TO AVAIL EMI WITH CREDIT/DEBIT CARD**

---

Credit/Debit Card holders of American Express , Axis Bank , Bank of Baroda , Citi Banl , HDFC Credit Card , HDFC Debit Card , ICICI Bank , Indusind Bank , Kotak Mahindra Bank , RBL Bank , Standard Chartered Bank , Yes Bank can buy product on EMI with applicable interest rates starting from 11%

To pay for order with EMI enter your credit card details on payment page and select tenure for EMI to book your order

## **TO AVAIL CARDLESS EMI**

---

**Walnut 369** Card less EMI Provider -

At the payment page select EMI -> Walnut 369 -> Provide your required details and walnut 369 will check your eligibility and instantly approve or deny your request for payment. If you EMI is approved you will see EMI Tenure for 3 , 6 , 9 months.

For more information on the same call **Walnut 369 at 080-68075001**

**Zest Money** Card less EMI Provider -

Create your account by visiting <https://www.zestmoney.in/>

Step 1 :Signup with ZestMoney Complete your profile & discover your credit limit.

Step 2 :Activate your credit limit by verify your KYC & setup automatic repayments.

Step 3 :Pay with ZestMoney EMI Visit [www.sketra.com](http://www.sketra.com) & Book your order by selecting ZestMoney as a payment method.



## **OUR SERVICE**

---

Sketra provide onsite support service PAN India at your doorsteps. We're providing warranty with the product, that covers any and all manufacturing/mechanical defects. After the warranty period, you can avail these services by paying a minimal cost, however, the treadmills are designed to give you a smooth experience with very low maintenance.

## **INSTALLATION & SERVICE SUPPORT**

---

Sketra treadmills Comes in a 90% assembled state. Tools and fittings are provided for installation. Installation video present in the image tab and on Sketra official YouTube channel. Sketra Provide onsite service support all across India. For any service support, our technician would reach onsite within 48-72 hours.

## **TIMELINE TO PROVIDE SERVICE**

---

Sketra Provides Pan India onsite warranty -

To provide quick onsite support service , complaints are classified in 2 categories

1) Wear & Tear issues - Treadmill may start malfunctioning due to various kinds of issues ( For instance - Running belt is not in centre , Running belt is too loose , Running belt is too tight , Noise due to friction between motor & belt etc ) all these type of issues are classified as minor issues and can easily be resolved without the need of changing a part in the treadmill and can be resolved within max 3 working days after registration of complaint.

2) Malfunctioning/Damaged Parts - Treadmill may not work if you see following errors in the display console ( For instance - Error E02 , E03 , E13 , E15 ) following error messages may appear in the treadmill due to malfunctioning of parts , It may take upto 15 working days for issues which require change of spare parts to be resolved.

## TERMS AND CONDITIONS

[www.sketra.com](http://www.sketra.com) is owned and operated by Quantico Global India Private Limited. All information, products and services displayed on the <http://www.sketra.com> website constitute an "invitation to offer". Your order for purchase constitutes your "offer" which shall be subject to the terms and conditions as listed below. <http://sketra.com/> website has the right to accept or reject your offer without assigning any reason thereof. In order to use the <http://sketra.com/> website belonging to Quantico Global India Private Limited, you (The User) have accepted the following terms and conditions given below. reserves the right to add, delete, alter or modify these terms and conditions at any time.

User are advised to read carefully these terms and conditions every time you use the <http://www.sketra.com/> website of Quantico Global India Private Limited.

### Color Discrepancy:

We have made every effort to display the colour of our products that appear on the site as accurately as possible. However, as the actual colours you see will depend on your display screen, we cannot guarantee that your display screen will show accurate color

Customer should be 18 Years of age and above:

The User certifies that he/she is at least 18 (eighteen) years of age or has the consent of a parent or legal guardian.

### Non liability Clauses:

Sketra will not be responsible for any damage suffered by users from use of the services on <http://sketra.com/>. This without limitation includes loss of revenue or data resulting from delays, non-deliveries, missed deliveries, or service interruptions as may occur because of any act / omission of the vendor. This disclaimer of liability also applies to any damages or injury caused by any failure of performance, negligence, defect, deletion, error, omission, interruption, delay in operation or transmission, computer virus, communication line failure, theft or destruction or unauthorized access to, alteration of, or use of record, whether for breach of contract, tortuous behavior, or under any other cause of action.

### Third party Fraud:

Sketra will not be liable for any type or kind of credit card fraud. The liability to use a card fraudulently will be on the user and the onus to 'prove otherwise' shall be exclusively on the user. The User must exclusively use his/her own card on the site.

## **TERMS AND CONDITIONS**

---

### **Order Fulfillment:**

Sketra will take "Full Responsibility" of your Order, if the Order has been shipped to any city, where we used "Private Courier Companies" (eg. Blue Dart, Fedex, Aramex, DTDC, DHL etc) that services your pincode to ship your order.

### **Changes in Price and Stock Availability:**

The prices and availability of products are subject to change without prior notice at the sole discretion of Sketra.

### **Order Cancellations:**

Request for cancellations of orders once placed on <http://sketra.com/> shall be entertained only if your order hasn't already been dispatched.

### **Incorrect Pricing:**

Sketra reserves the right to refuse or cancel any order placed for a product that is listed at an incorrect price or for any other reason. This shall be regardless of whether the order has been confirmed and/or payment been received. The payment shall be refunded and the User shall be informed of the same.

### **Delayed Delivery:**

If a non-delivery or late delivery occurs due to a mistake by the User (i.e. wrong or incomplete name or address or recipient not available) any extra cost spent by Sketra for re-delivery shall be claimed from the User placing the order.

### **Customer Information:**

The User agrees to give accurate, authentic and true information. Sketra reserves the right to confirm and validate the information and other details provided by the User at any point of time. If any such User details are found not to be true wholly or partly, Sketra has the right in its sole discretion to reject the registration and debar the User from using the services of <http://sketra.com/> without prior intimation whatsoever.

### **Exclusive Jurisdiction:**

This agreement shall be construed in accordance with the applicable laws of India. The Courts at Punjab shall have exclusive jurisdiction in any proceedings arising out of this agreement

## **PRIVACY POLICY**

---

This privacy policy sets out how SKETRA uses and protects any information that you give SKETRA when you use this website. SKETRA is committed to ensuring that your privacy is protected. Should we ask you to provide certain information by which you can be identified when using this website, then you can be assured that it will only be used in accordance with this privacy statement. SKETRA may change this policy from time to time by updating this page. You should check this page from time to time to ensure that you are happy with any changes.

### **WHAT WE COLLECT**

We may collect the following information:

- Name
- Contact information including email address
- Demographic information such as postcode, preferences and interests
- Other information relevant to customer surveys and/or offers

For the exhaustive list of cookies we collect see the List of cookies we collect section.

### **WHAT WE DO WITH THE INFORMATION WE GATHER**

We require this information to understand your needs and provide you with a better service, and in particular for the following reasons:

- Internal record keeping
- We may use the information to improve our products and services.
- We may periodically send promotional emails about new products, special offers or other information which we think you may find interesting using the email address which you have provided.
- From time to time, we may also use your information to contact you for market research purposes. We may contact you by email, phone, fax or mail. We may use the information to customise the website according to your interests.

### **SECURITY**

We are committed to ensuring that your information is secure. In order to prevent unauthorised access or disclosure, we have put in place suitable physical, electronic and managerial procedures to safeguard and secure the information we collect online.

### **LINKS TO OTHER WEBSITES**

Our website may contain links to other websites of interest. However, once you have used these links to leave our site, you should note that we do not have any control over that other website. Therefore, we cannot be responsible for the protection and privacy of any information which you provide whilst visiting such sites and such sites are not governed by this privacy statement. You should exercise caution and look at the privacy statement applicable to the website in question.

# PRIVACY POLICY

---

## HOW WE USE COOKIES

A cookie is a small file which asks permission to be placed on your computer's hard drive. Once you agree, the file is added and the cookie helps analyse web traffic or lets you know when you visit a particular site. Cookies allow web applications to respond to you as an individual. The web application can tailor its operations to your needs, likes and dislikes by gathering and remembering information about your preferences. We use traffic log cookies to identify which pages are being used. This helps us analyse data about web page traffic and improve our website in order to tailor it to customer needs. We only use this information for statistical analysis purposes and then the data is removed from the system. Overall, cookies help us provide you with a better website, by enabling us to monitor which pages you find useful and which you do not. A cookie in no way gives us access to your computer or any information about you, other than the data you choose to share with us. You can choose to accept or decline cookies.

## CONTROLLING YOUR PERSONAL INFORMATION

You may choose to restrict the collection or use of your personal information in the following ways:

- whenever you are asked to fill in a form on the website, look for the box that you can click to indicate that you do not want the information to be used by anybody for direct marketing purposes
- if you have previously agreed to us using your personal information for direct marketing purposes, you may change your mind at any time by writing to or emailing us at [support@sketra.com](mailto:support@sketra.com) We will not sell, distribute or lease your personal information to third parties unless we have your permission or are required by law to do so. We may use your personal information to send you promotional information about third parties which we think you may find interesting if you tell us that you wish this to happen.

You may request details of personal information which we hold about you under the Data Protection Act 1998. A small fee will be payable. If you would like a copy of the information held on you please write to [info@sketra.com](mailto:info@sketra.com) If you believe that any information we are holding on you is incorrect or incomplete, please write to or email us as soon as possible, at the above address. We will promptly correct any information found to be incorrect.



## RETURN POLICY

---

SKETRA provides a straightforward warranty that is processed in the most hassle-free way possible.

Undamaged returnable products may be returned for a full refund for any reason within 10 days of the date the item was delivered to the designated shipping address. Once the returned item arrives back in SKETRA's warehouse for inspection, the refund process will begin.

- Returns must include all accessories
- Items must include original packaging
- For non-quality related warranty claims, buyer is responsible for shipping costs
- For non-quality related warranty claims, SKETRA refunds the cost of the product itself
- Returns may be rejected if product does not meet the above requirements
- 10 Days Replacement policy is applicable for Non Returnable Products which are not covered under Return Policy
- Non Returnable products Like Treadmill's , Home Gym are only covered for 10 days replacement for manufacturing defects
- Pre book order's cannot be cancelled however order modification can be done

Warranty Claims for Quality-Related Issues guarantee expire 10 days after opening a warranty claim. It is not possible to process a request for a refund for non-quality issues for items when the 10-day window expires. For purchases not made directly through SKETRA's online stores, please contact retailers for refunds. For quality-related issues, please see below.

### Warranty Claims for Quality-Related Issues

All quality-related defects on items sold directly by SKETRA or SKETRA's authorized resellers are covered by an extensive warranty, starting from the date of purchase. The claims are handled through SKETRA.

For quality-related warranty claims, items will be replaced with a factory refurbished model of equal value when available, otherwise a new item will be sent.

Warranties on all replacements follow the same warranty timeframe of the original defective item, or 3 months after being replaced, whichever is longer. Warranties on products are void after having been fully refunded.

## RETURN POLICY

---

### Process:

- Buyer must provide sufficient proof of purchase
- SKETRA must document what happens when buyers troubleshoot the product
- The defective item's serial number and/or visible proof depicting the defect are required
- It may be necessary to return the item for quality inspection

### Valid proof of purchase:

- Order number from online purchases made through SKETRA or SKETRA's authorized resellers
- Sales invoice
- Dated sales receipt from an authorized SKETRA reseller that shows a description of the product

### Shipping costs must be covered by buyer in the following situations:

- Returning products for any reason other than a proven defect
- Buyer's accidental returns
- Returning items claimed to have defects but found by SKETRA quality control to be in working

### Not Covered Under Warranty:

- Products without sufficient proof of purchase
- Lost or stolen products
- Items with their warranty period expire
- Non-quality-related issues (after 10 days of Delivery)
- Free products
- Repairs through 3rd parties
- Damage from outside sources.
- Damage from misuse of products (including, but not limited to: falls, extreme temperatures, water, operating devices improperly)
- Purchases from unauthorized resellers

### SKETRA is not liable for:

Loss of data incurred from use of SKETRA products. When returning items with a prepaid shipping label provided by SKETRA, SKETRA takes responsibility for any damage or loss incurred in transit. When returning items for non-quality issues, buyer assumes responsibility for any damage or loss incurred in transit. SKETRA does not provide refunds for items damaged in transit for non-quality related warranty claims.

## Contact us

For any query feel free to contact us between 9 AM - 7 PM | Mon - Sat

**+91-8929942052**

Write us at

**info@sketra.com**

visit our website at

**www.sketra.com**

